



SILICONE NEON STRIP

PRODUCT SPECIFICATION

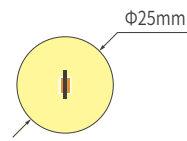
CNE-2525

360°NEON

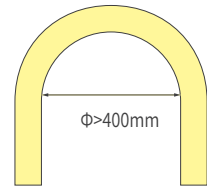


Product Feature

- The light source shall be COB light strip with high luminous efficiency;
- Adopt high light transmittance, environment-friendly silicone material;
- Unique optical light distribution structure design, 360° emitting uniform without shadow.
- Excellent toughness, stylish appearance, elegant design.
- IP65 protection level with integrated extrusion molding process, high light transmittance, environment-friendly silicone material.
- Salt resistance, acid & alkali corrosion resistance, UV resistance.
- Ambient temperature: -25°C~60°C; Storage temperature: 0°C~60°C.

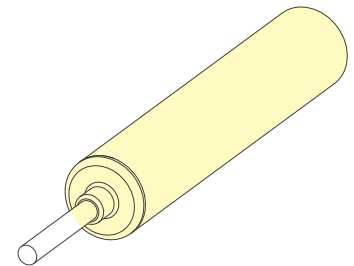
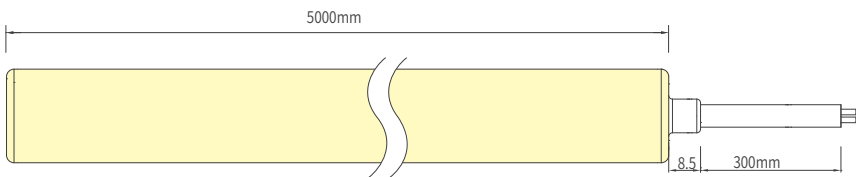


Diameter



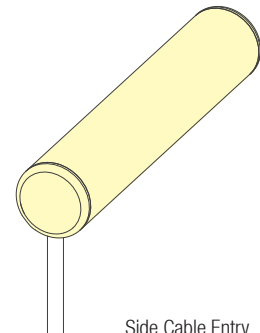
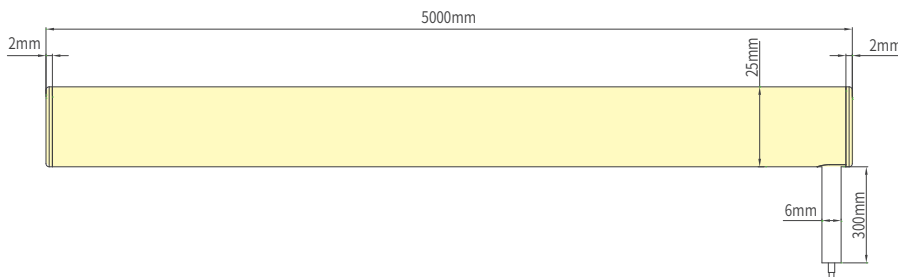
Minimum bending diameter

Front entry Integral End cap (IP65)



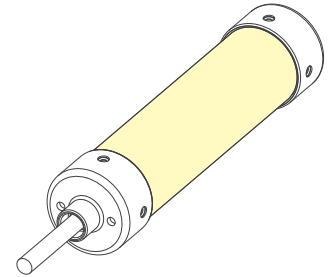
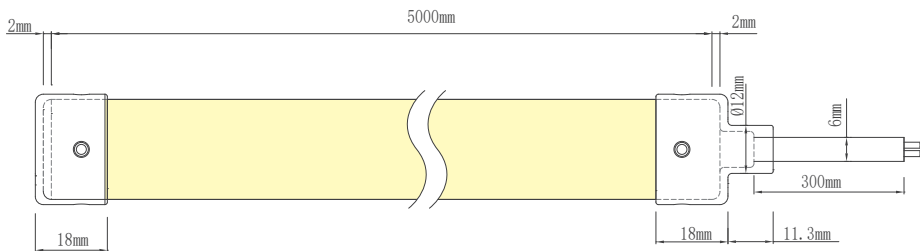
Cable entry: Front

Side entry Intergral End Cap (IP65)



Side Cable Entry

Silicone End Cap(IP65)



Cable Entry: Front



The Head



The End



Resistant Saltwater



UV Protection



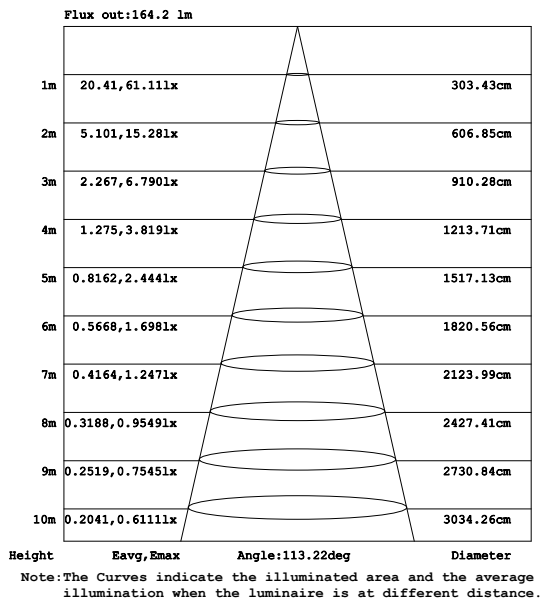
Resistant to solvents

- The maximum series length refers to the maximum single end power supply length of the constant current strip under the condition of standard 30cm wire .
- The given color temperature is the temperature of finished product.
- The given data are typical values due to the tolerances of the production process and the electrical components, values for light output and electrical power can vary up to 10%.
- All products can be dimmed; the dimmer' s voltage should conform to the rated voltage of the led light. The output frequency of the dimmer of the constant-current led light should be less than 2K Hz, and the output PWM can control the led light.

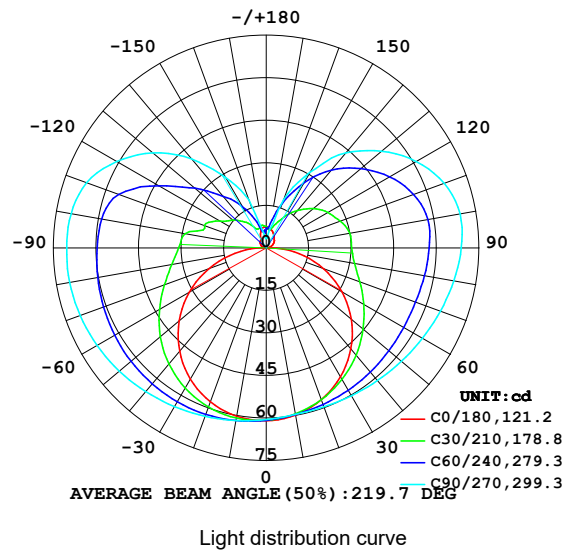
Single color (Lm/m)

CCT(K)	CRI	Voltage	Power(W)	Lumen (LM/M)	Efficiency (LM/W)	Unit Length (mm)	Max.Run Length (M)	CC/CV
2000 ⁺¹⁰⁰ / ₋₂₀₀	≥90	DC24V	10	363	36.3	50	5	CC/CV
2200 ⁺¹⁰⁰ / ₋₂₀₀	≥90	DC24V	10	380	38	50	5	CC/CV
2400 ⁺¹⁰⁰ / ₋₂₀₀	≥90	DC24V	10	417	41.7	50	5	CC/CV
2600±150	≥90	DC24V	10	477	47.7	50	5	CC/CV
3200±200	≥90	DC24V	10	524	52.4	50	5	CC/CV
4500±400	≥90	DC24V	10	547	54.7	50	5	CC/CV
Red	--	DC24V	10	58	5.8	50	5	CC/CV
Green	--	DC24V	10	637	63.7	50	5	CC/CV
Blue	--	DC24V	10	103	10.3	50	5	CC/CV
Yellow	--	DC24V	10	402	40.2	50	5	CC/CV
Orange	--	DC24V	10	240	24	50	5	CC/CV
Pink	--	DC24V	10	116	11.6	50	5	CC/CV

Light distribution curve



Effective average illumination



Light distribution curve

Note: The above data is based on the test results of the single white 3000K led strip.

Product accessories



-Name: R25 - Surface mounting with open PC clips
 -Model: R25-IA01
 -Attachment: Transparent PC mounting clips, Tapping screws, Expandable rubber plugs



-Name: R25 - Surface mounting with PC profile
 -Model: R25-IA02
 -Attachment: Transparent PC mounting profile, Tapping screws, Expandable rubber plugs



-Name: R25 - "—" type hanging mounting with open PC clips
 -Model: R25-IA03
 -Attachment: Transparent PC mounting clips, Kit of hanging rope, Screws

Product accessories



-Name: R25 - "—" type hanging mounting with PC profile
 -Model: R25-IA04
 -Attachment: Transparent PC mounting profile, Kit of hanging rope, Screws



-Name: R25 - "I" type hanging mounting
 -Model: R25-IA05
 -Attachment: Kit of "I" type hanging mounting, Tapping screws, Expandable rubber plugs



-Name: R25 - "U" type hanging mounting
 -Model: R25-IA06
 -Attachment: Kit of "I" type hanging mounting, Tapping screws, Expandable rubber plugs



-Name: R25 - Connector with side outlet
 -Model: R25-IA08
 -Attachment: Metal connector with side outlet, Tapping screws



-Name: R25 - Connector
 -Model: R25-IA09
 -Attachment: Metal connector, Tapping screws



-Name: R25 - Surface mounting with closed PC clips
 -Model: R25-IA10
 -Attachment: "Ω" type transparent PC clips, Transparent PC pedestals with one hole, Tapping screws, Expandable rubber plugs



-Name: R25 - "—" type hanging mounting with closed PC clips
 -Model: R25-IA11
 -Attachment: "Ω" type transparent PC clips, Transparent PC pedestals with one hole, Kit of hanging rope, Machine screws



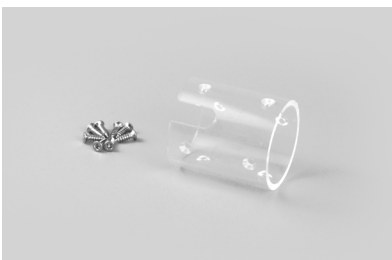
-Name: R25 - "—" type adjustable hanging mounting with open PC clips
 -Model: R25-IA14
 -Attachment: Transparent PC mounting clips, Machine screws, Kit of telescopic rod



-Name: R25 - "—" type adjustable hanging mounting with PC profile
 -Model: R25-IA15
 -Attachment: Transparent PC mounting profile, Machine screws, Kit of telescopic rod



-Name: R25 - "—" type adjustable hanging mounting with closed PC clips
 -Model: R25-IA16
 -Attachment: "Ω" type transparent PC clips, Transparent PC pedestals with one hole, Kit of telescopic rod



-Name: R25 side outlet transparent connector
 -Model: R25-IA18
 -Attachment: Screws, PMMA transparent side outlet connector



-Name: R25 side outlet transparent connector with lifting rope
 -Model: R25-IA19
 -Attachment: Screws, Kit of hanging rope, Expandable rubber plugs, Tapping screws, PMMA transparent side outlet connector;

Product accessories

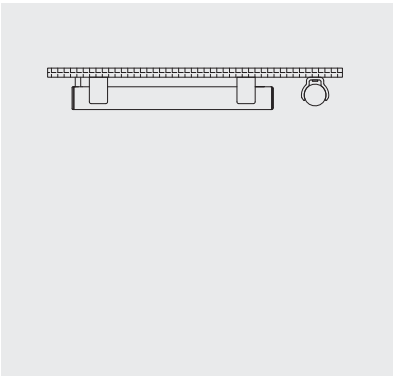


-Name: R25 transparent connector
 -Model: R25-IA20
 -Attachment: Screws, PMMA transparent connector;

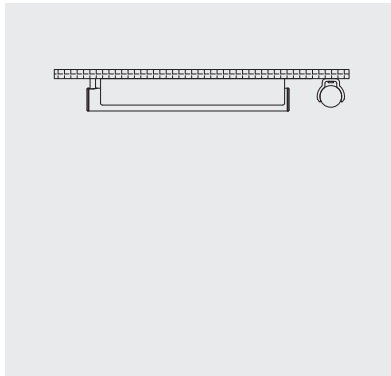


-Name: R25 transparent connector with lifting rope
 -Model: R25-IA21
 -Attachment: Screws, Kit of hanging rope, Expandable rubber plugs, Tapping screws, PMMA transparent connector;

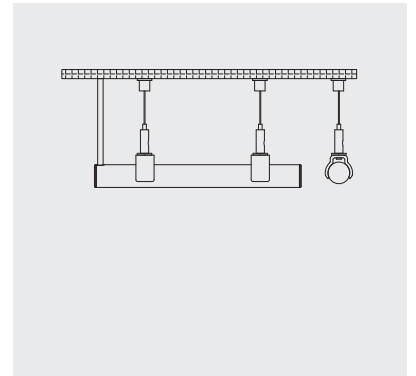
Installation Diagram for R25 Neon Light



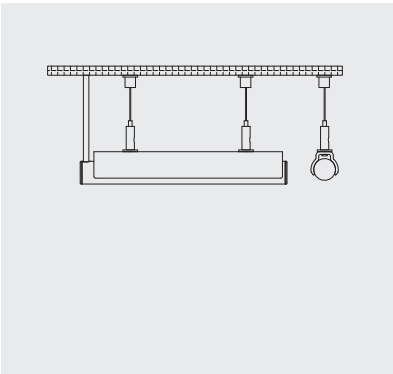
R25 - Surface mounting with open PC clips (R25-IA01)



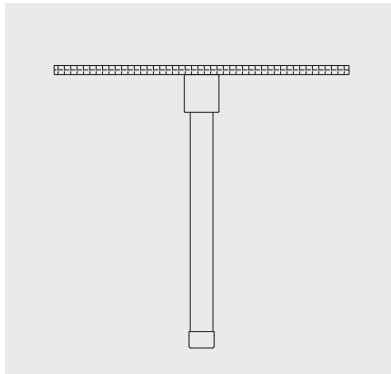
R25 - Surface mounting with PC profile (R25-IA02)



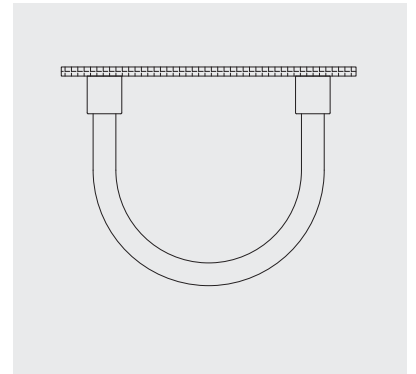
R25 - “—” type hanging mounting with open PC clips (R25-IA03)



R25 - “—” type hanging mounting with PC profile (R25-IA04)

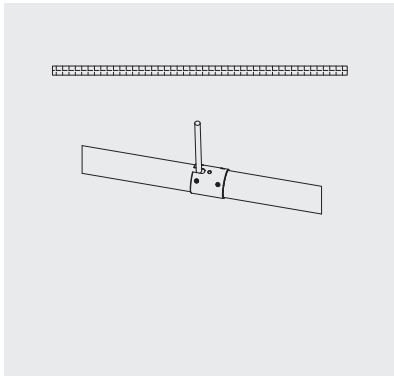


R25 - “I” type hanging mounting (R25-IA05)

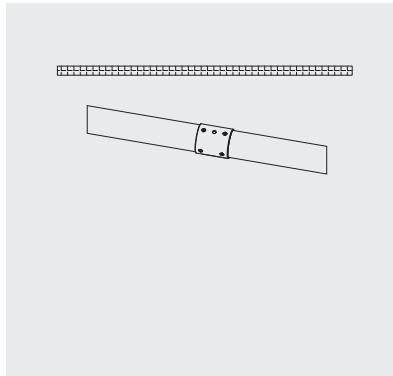


R25 - “U” type hanging mounting (R25-IA06)

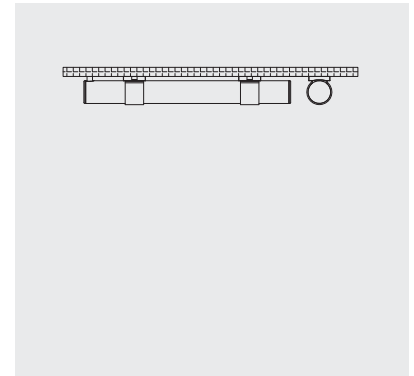
Installation Diagram for R25 Neon Light



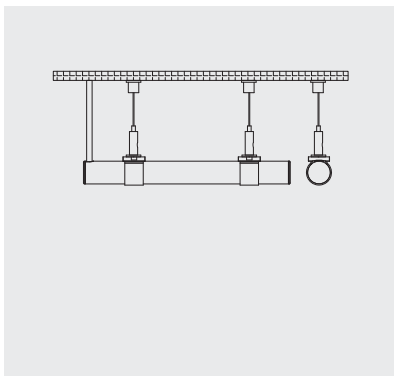
R25 - Connector with side outlet (R25-IA08)



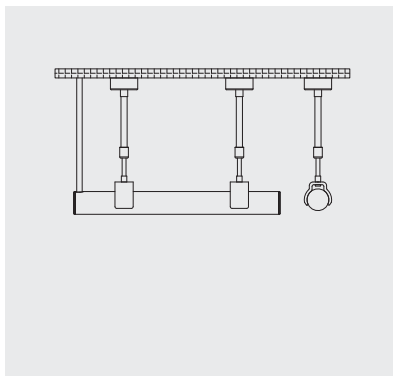
R25 - Connector (R25-IA09)



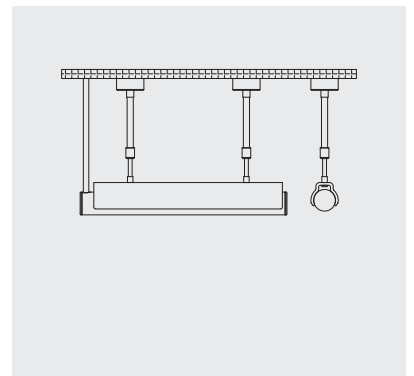
R25 - Surface mounting with closed PC clips (R25-IA10)



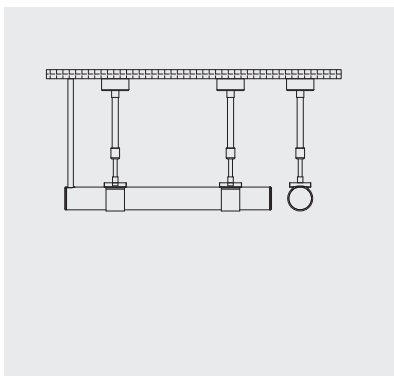
R25 - “—” type hanging mounting with closed PC clips (R25-IA11)



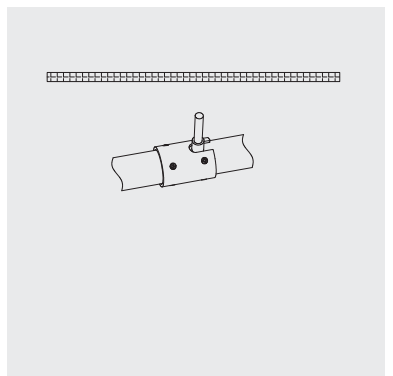
R25 - “—” type adjustable hanging mounting with open PC clips (R25-IA14)



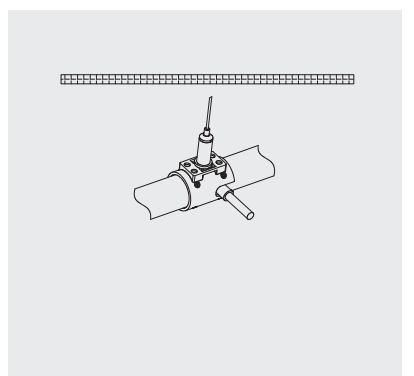
R25 - “—” type adjustable hanging mounting with PC profile (R25-IA15)



R25 - “—” type adjustable hanging mounting with closed PC clips (R25-IA16)

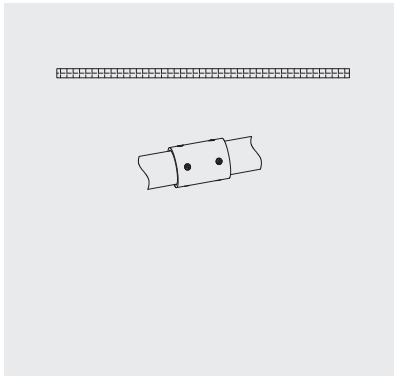


R25-Side outlet transparent connector (R25-IA18)

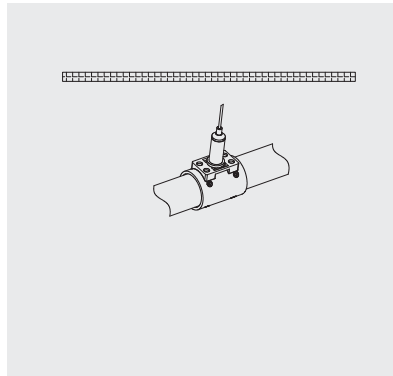


R25-side outlet transparent connector with lifting rope (R25-IA19)

Installation Diagram for R25 Neon Light

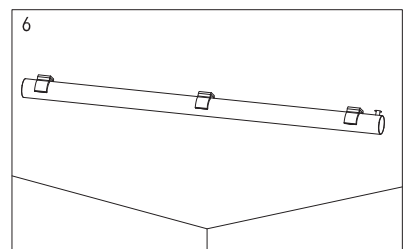
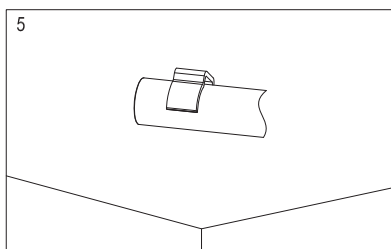
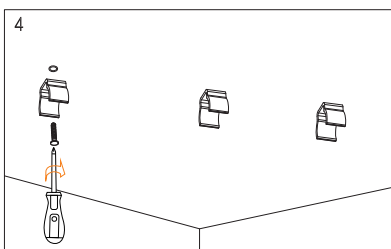
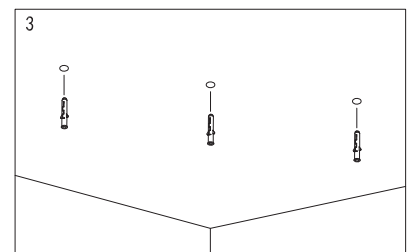
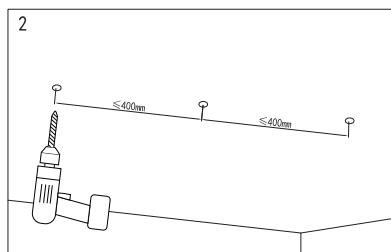
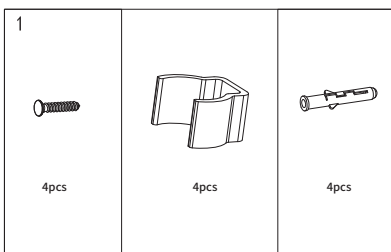


R25 transparent connector (R25-IA20)

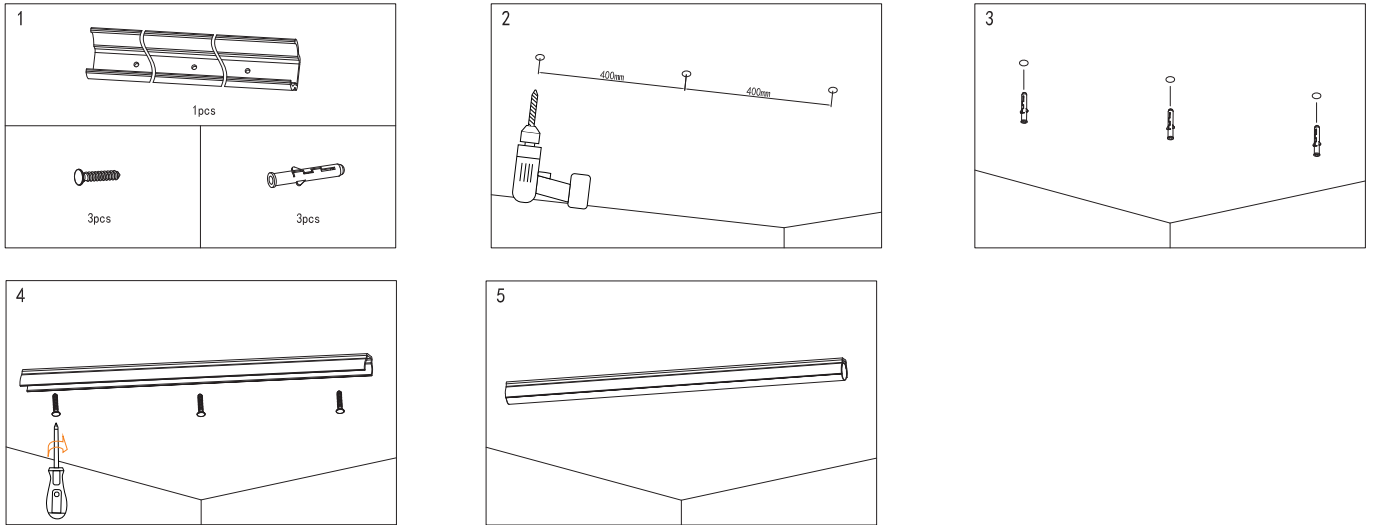


R25 transparent connector with lifting rope (R25-IA21)

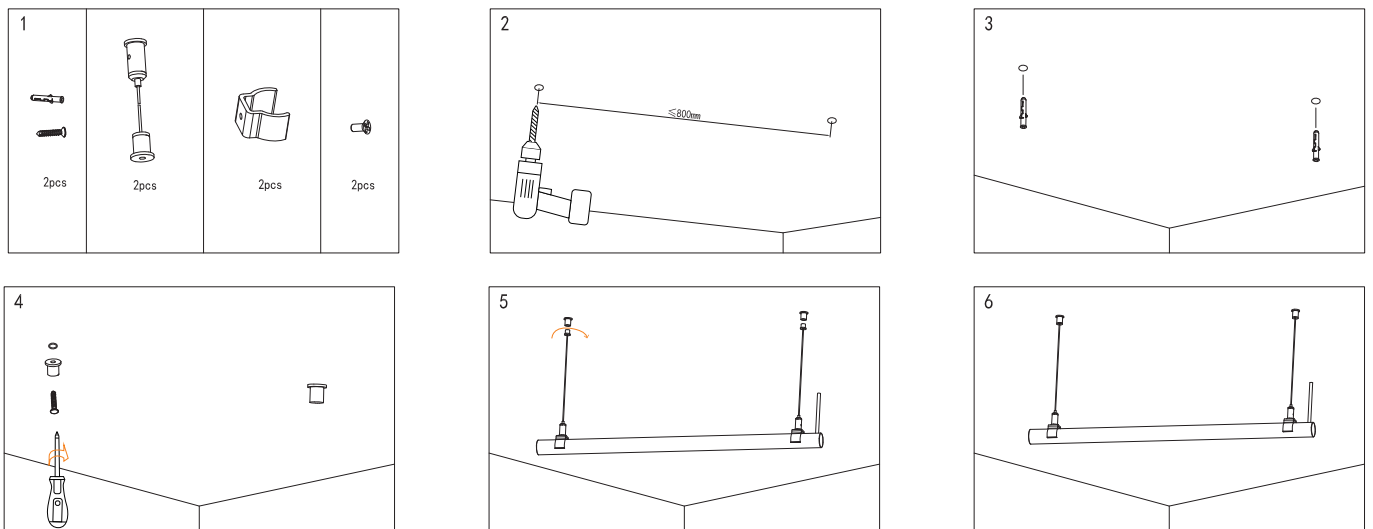
R25 - Surface mounting with open PC clips(R25-IA01)



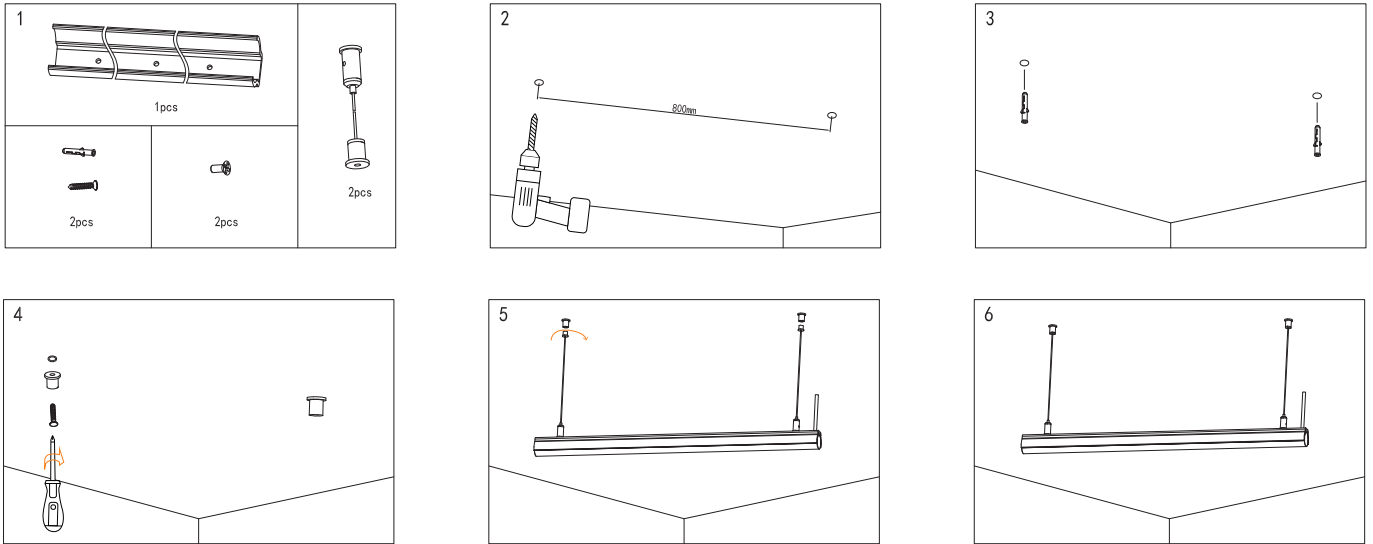
R25 - Surface mounting with PC profile(R25-IA02)



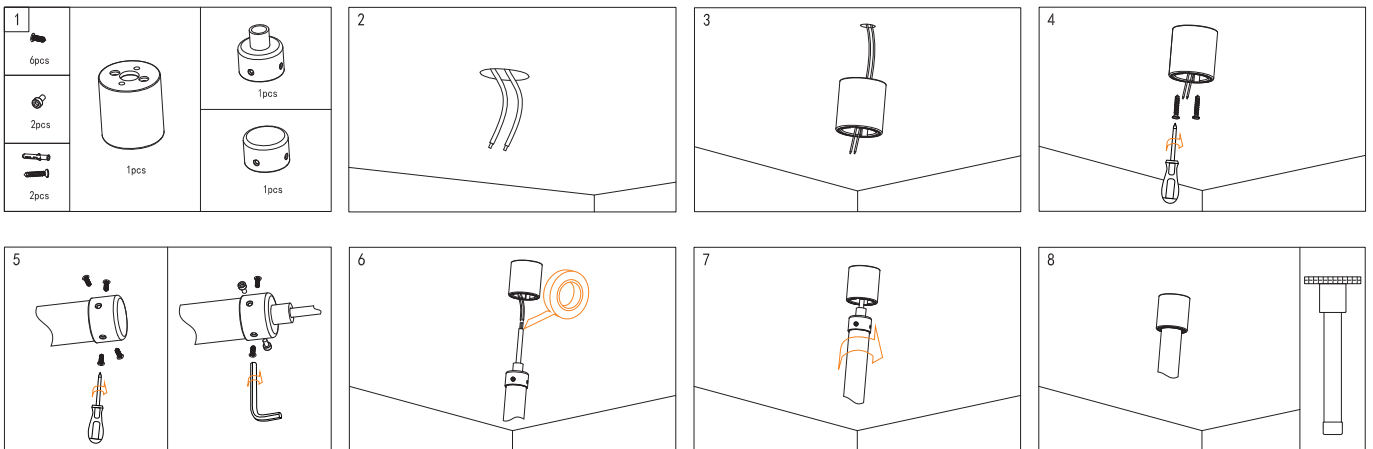
R25 - "—" type hanging mounting with open PC clips(R25-IA03)



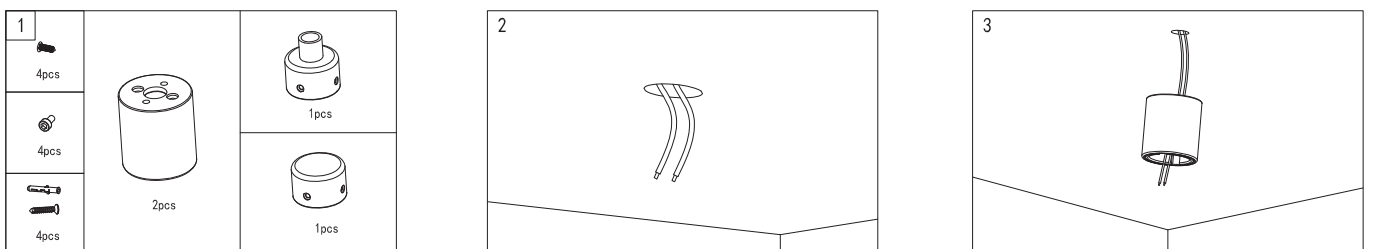
R25 - "—" type hanging mounting with PC profile(R25-IA04)



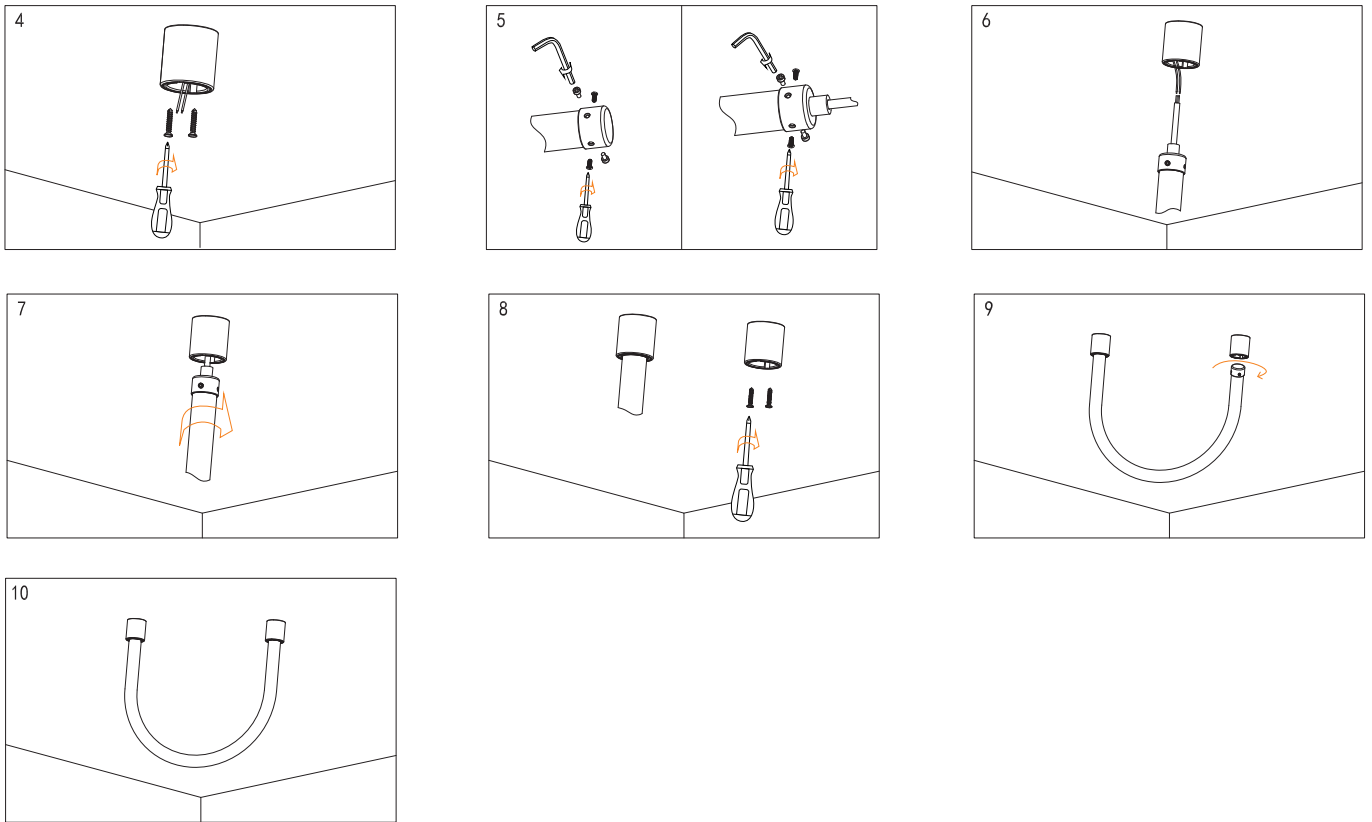
R25 - "I" type hanging mounting(R25-IA05)



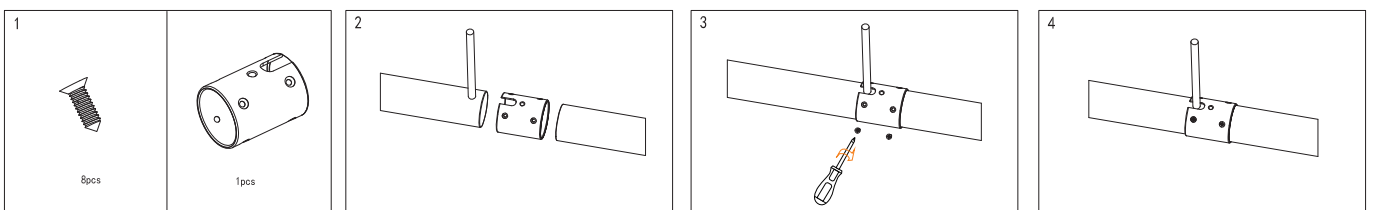
R25 - "U" type hanging mounting(R25-IA06)



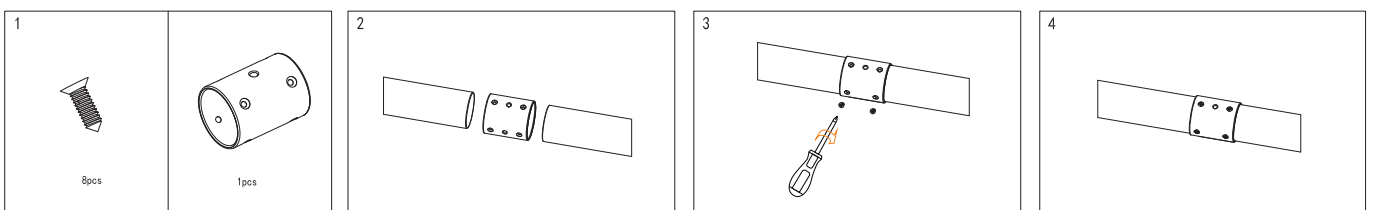
R25 - "U" type hanging mounting(R25-IA06)



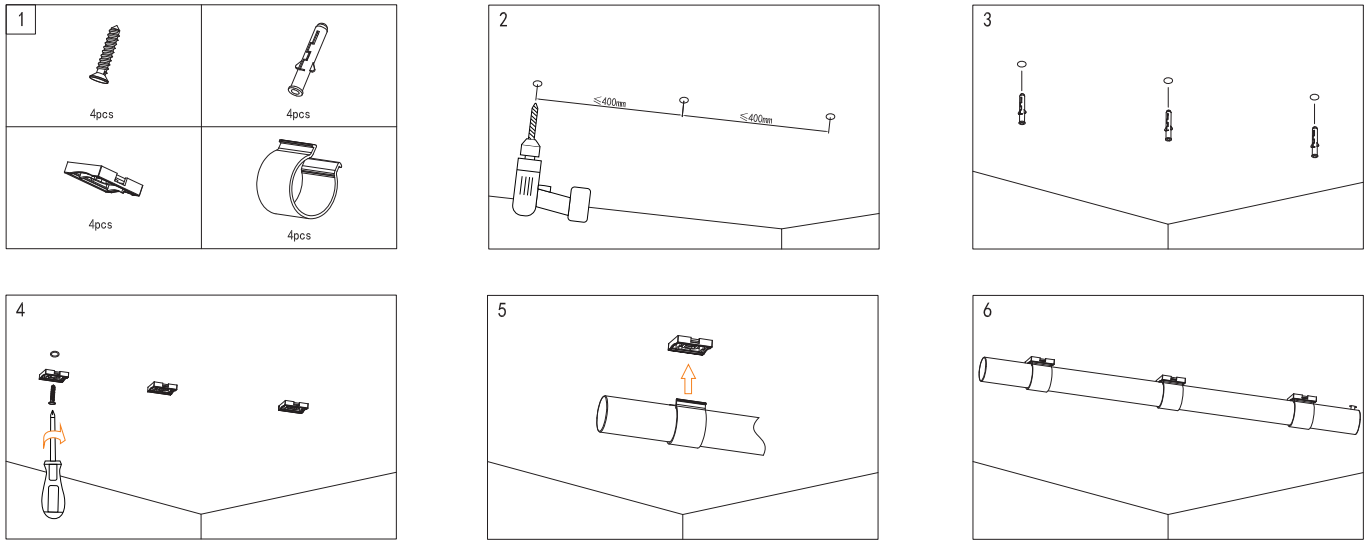
R25 - Connector with side outlet(R25-IA08)



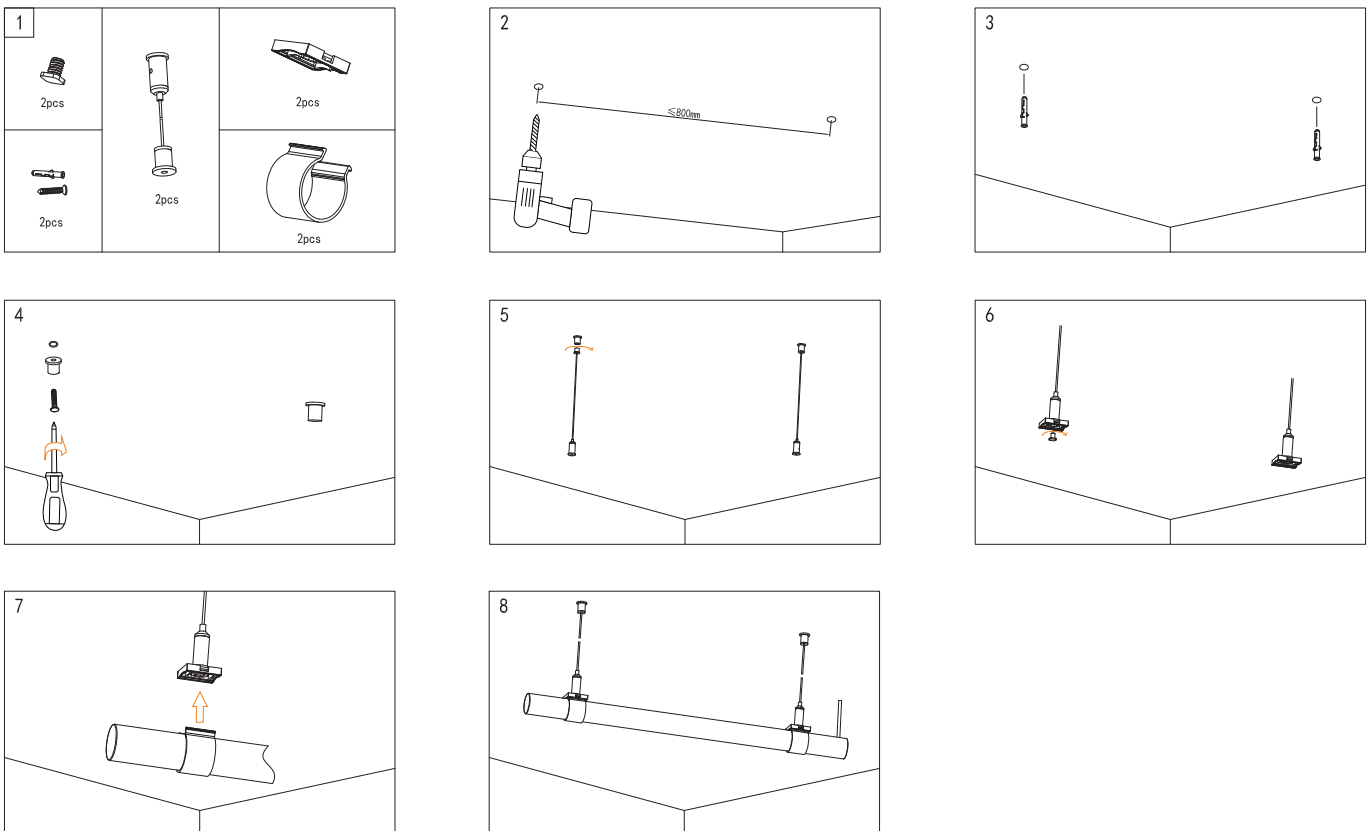
R25 - Connector(R25-IA09)



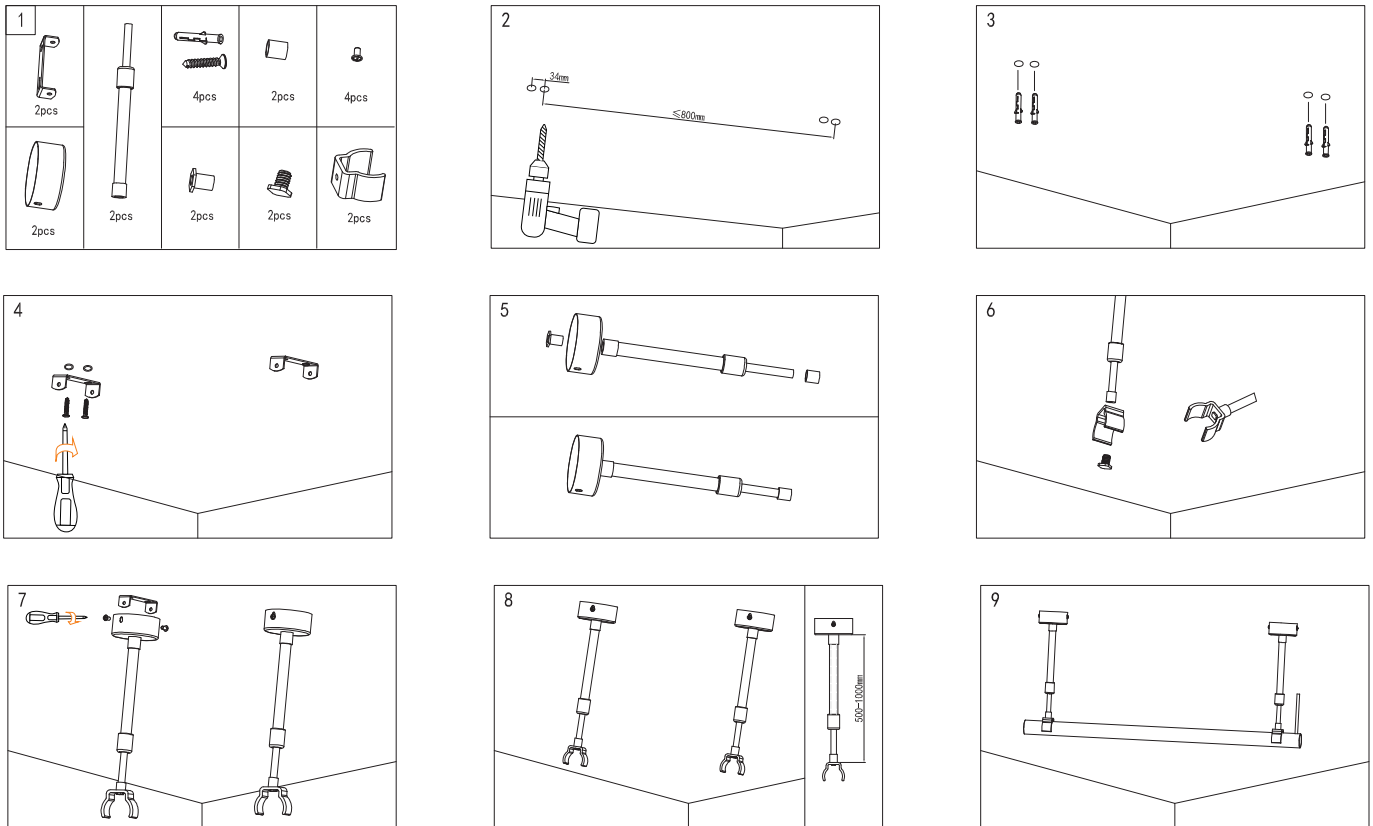
R25 - Surface mounting with closed PC clips(R25-IA10)



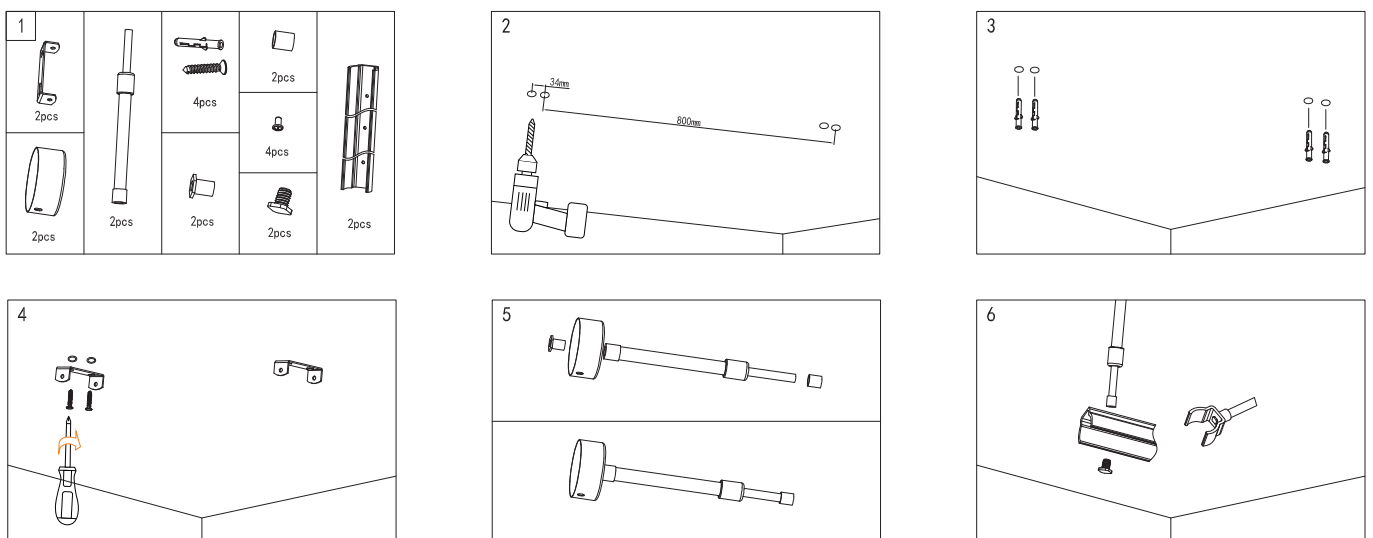
R25 - "—" type hanging mounting with closed PC clips(R25-IA11)



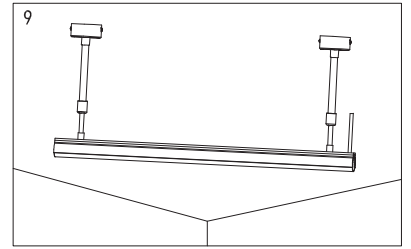
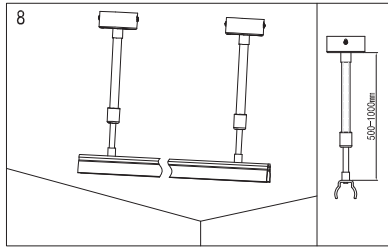
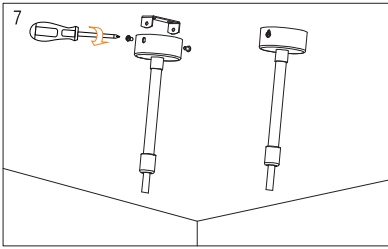
R25 - "—" type adjustable hanging mounting with open PC clips(R25-IA14)



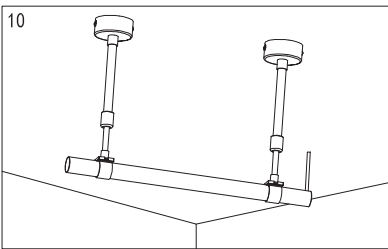
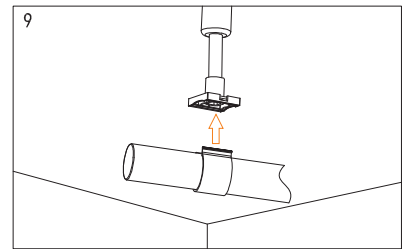
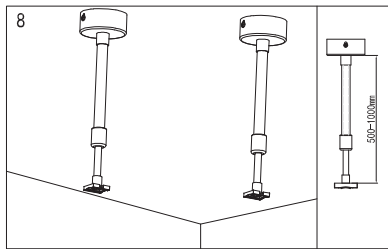
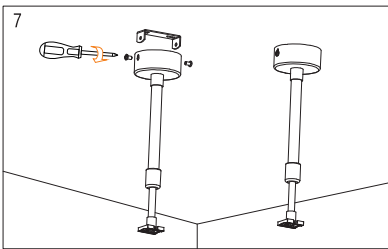
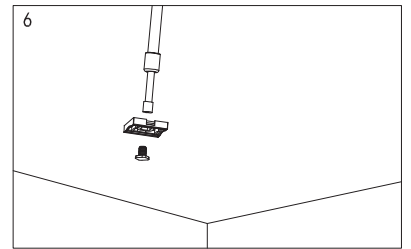
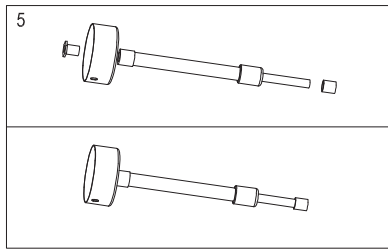
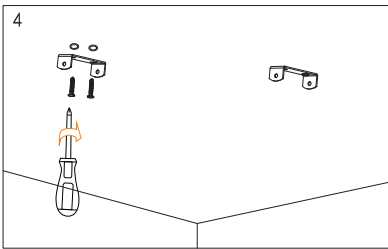
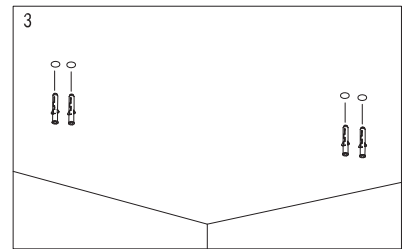
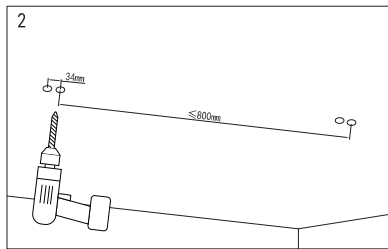
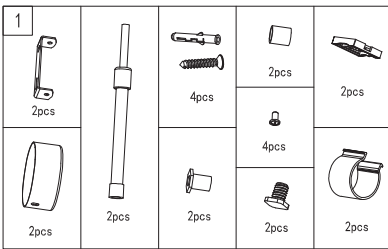
R25 - "—" type adjustable hanging mounting with PC profile(R25-IA15)



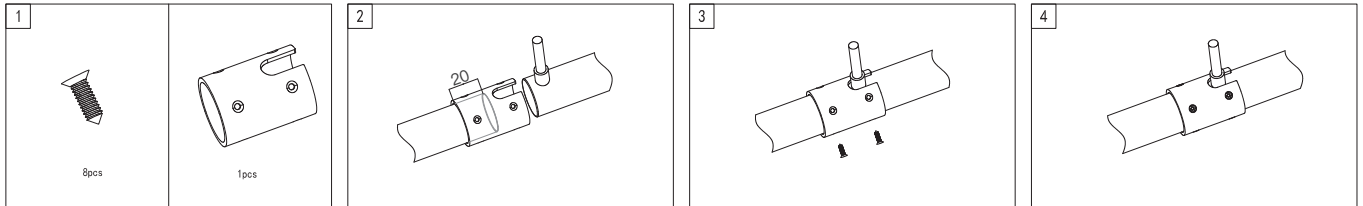
R25 - "—" type adjustable hanging mounting with PC profile(R25-IA15)



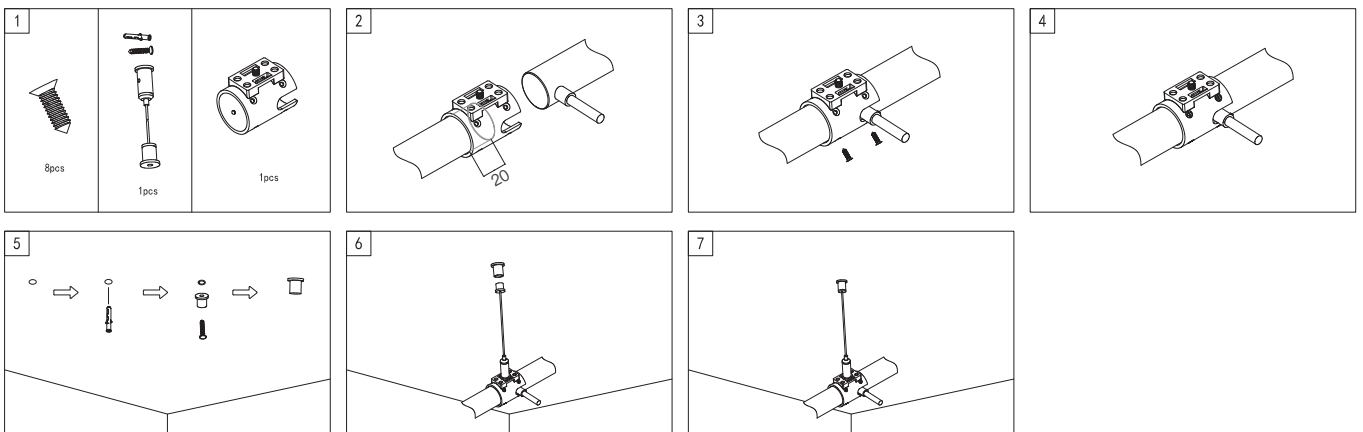
R25 - "—" type adjustable hanging mounting with closed PC clips(R25-IA16)



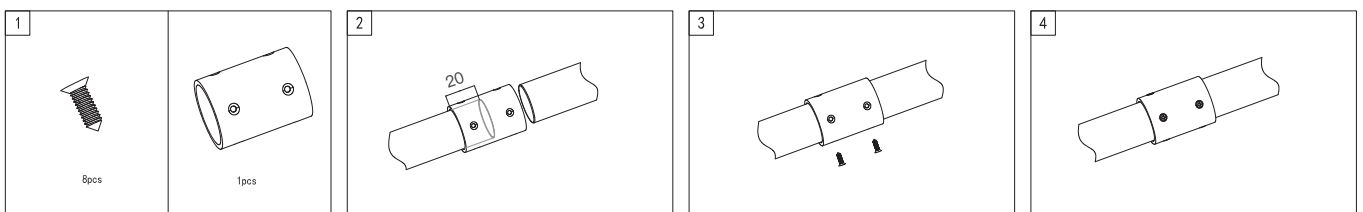
R25 side outlet transparent connector (R25-IA18)



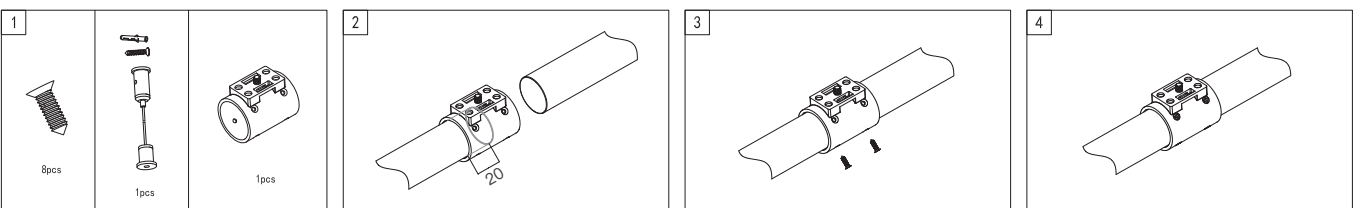
R25 side outlet transparent connector with lifting rope (R25-IA19)



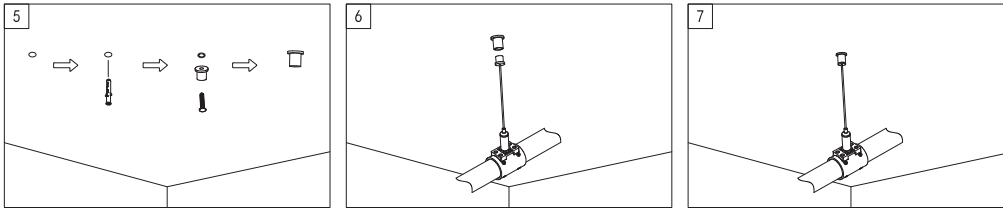
R25 transparent connector (R25-IA20)



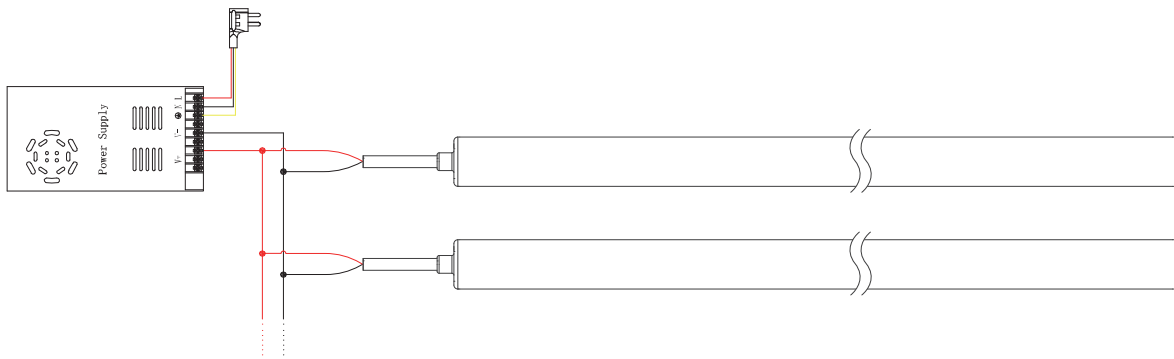
R25 transparent connector with lifting rope (R25-IA21)



R25 transparent connector with lifting rope (R25-IA21)



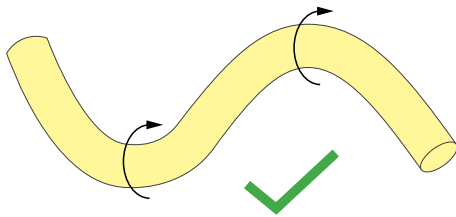
Single Color Connection Diagram



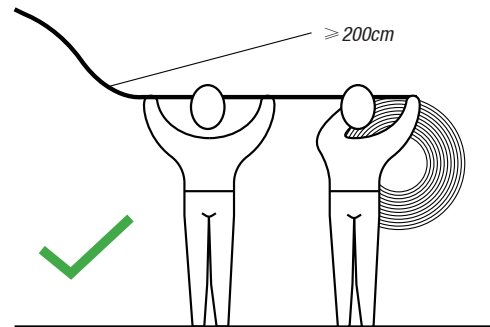
Installation/Use Precautions

- ◆ The unopened products and the unused products after unpacking, should be sealed in packaging bags to avoid long-term exposure.
- ◆ Please use DC24V isolated constant voltage switching power supply with ripple voltage less than 5%. Other types of power supply may damage the product or cause other safety risks.
- ◆ In practical application, the power supply should be retained with a 20% allowance (it is recommended to use only 80% power of the power supply) to ensure the stability of the power supply.
- ◆ Professional operators are recommended to wire and connect the power supply. It is strictly prohibited to connect the power supply with electricity in case of electric shock.
- ◆ Please confirm whether the voltage of the power supply is consistent with the voltage of the product before wiring.
- ◆ Please note the positive and negative sides of the power cord and connect them properly.
- ◆ When using multiple power supply, the situation of parallel connection of the positive pole of the power supply should be avoided. It will lead to instability of the power supply system and damage to the product after long-term operation.
- ◆ If the actual length of the application exceeds the specified length, it will lead to the phenomenon of heating and uneven brightness of the strip due to overload.
- ◆ During installation, please avoid twisting or irregular bending of the strip, and avoid any operation that will scratch the strip, otherwise it may cause irreparable damage to the product.
- ◆ In order to ensure the life and reliability of the strip, please ensure that the diameter of the bending should be greater than 400mm.
- ◆ For the sake of eye protection, please avoid looking directly at the illuminated surface for a long time.
- ◆ Non-professionals are strictly prohibited from installing, disassembling or repairing the strip.
- ◆ Do not use any acid or alkaline adhesive to fix the strip (including but not limited to glass glue, etc.)
- ◆ Different levels of waterproof, different use environment. IP65 is not suitable for immersion application.
- ◆ Due to structural differences, the final visual color of the strip will be slightly different for products of different sizes and specifications under the same color temperature value.
- ◆ Due to the difference in structure, the same color temperature value, different size/specification of the strip, their final visual color will be slightly different. Please make confirmation before use.
- ◆ It is forbidden to cut this product to avoid damage to the strip due to improper operation.
- ◆ Customers are not allowed to cut this product by themselves.

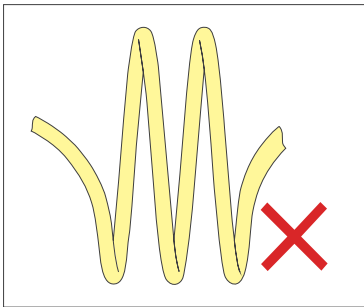
Installation/Use Precautions



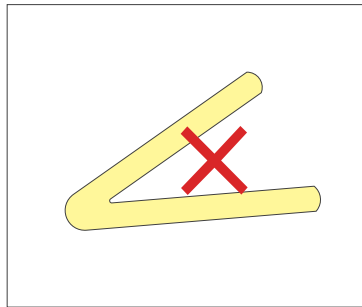
Bending diameter must be greater than 200mm



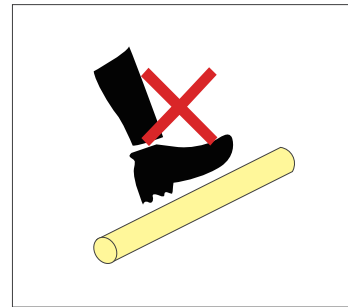
When the length of the strip is longer than 2 meters, have two people work together to install it.



严禁连续2圈以上以最小弯曲直径塑形



Small Angle bending is prohibited



Prohibit trample

Tests show that formaldehyde and benzene substances will make silicone products yellowing.

If the silicone products are used in the indoor environment of new decoration, epoxy floor paint, wall paint, wallpaper adhesive, all kinds of decoration materials, or new furniture, are likely to release formaldehyde and benzene substances. In order to avoid silicone material affected, it is suggested that the use of the environment after the completion of the new decoration, formaldehyde and benzene should be removed first, or it should be ventilated for a period of time before installing the strip.



**Specialized
LED strip Manufacturer**

CERULEAN LIMITED

Building 29, Shancheng Industrial Park, Shiyan Street, Bao'an
District, Shenzhen, Guangdong, China.

Tel: 0086 769 8907 7505

0086-150 1314 5991

Mail: sales@ceruleansign.com